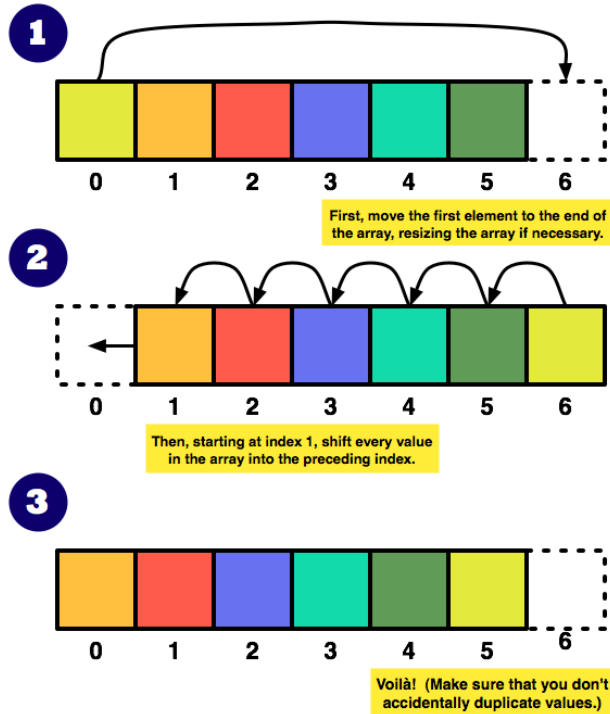


# API

# Java String Class



After running this, what is the value of `s3`?

## Java

```
String s1 = "hello";  
String s2 = "world!";  
s1 = s1 + " " + s2;  
int numChars = s1.length();  
s2 = s1.substring(0, 5)  
    + s1.charAt(numChars - 1);  
String s3 = s2.toUpperCase();
```

- A. "he11oo"
- B. "HELLOO"
- C. "HELLOL"
- D. "HELLO!"
- E. "he11o!"

After running this, what is the value of s3?

## Java

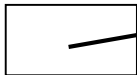
```
String s1 = "hello";  
String s2 = "world!";  
s1 = s1 + " " + s2;  
int numChars = s1.length();  
s2 = s1.substring(0, 5)  
    + s1.charAt(numChars - 1);  
String s3 = s2.toUpperCase();
```

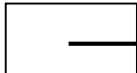
- A. "he11oo"
- B. "HELLOO"
- C. "HELLOL"
- D. "HELLO!"**
- E. "he11o!"

After running this, what is the value of s3?

Java

```
String s1 = "hello";  
String s2 = "world!";  
s1 = s1 + " " + s2;  
int numChars = s1.length();  
s2 = s1.substring(0, 5)  
    + s1.charAt(numChars - 1);  
String s3 = s2.toUpperCase();
```

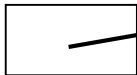
s1  → "hello"

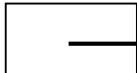
s2  → "world!"

After running this, what is the value of s3?

Java

```
String s1 = "hello";  
String s2 = "world!";  
s1 = s1 + " " + s2;  
int numChars = s1.length();  
s2 = s1.substring(0, 5)  
    + s1.charAt(numChars - 1);  
String s3 = s2.toUpperCase();
```

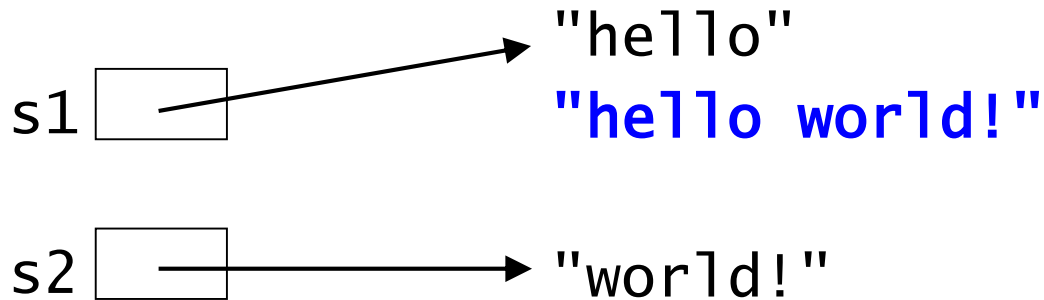
s1  → "hello"

s2  → "world!"

After running this, what is the value of s3?

**Java**

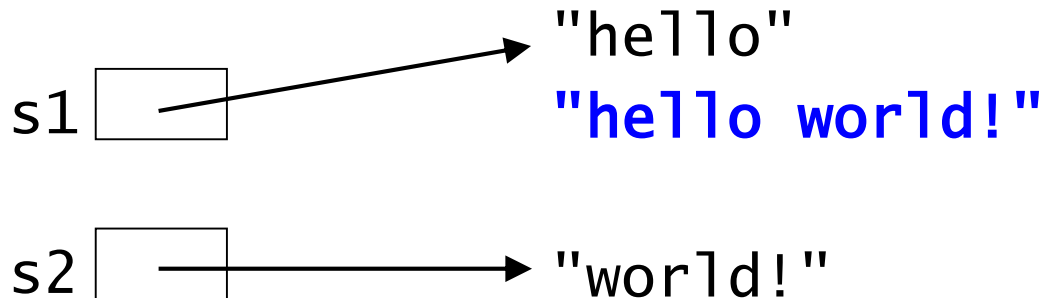
```
String s1 = "hello";  
String s2 = "world!";  
s1 = s1 + " " + s2;  
int numChars = s1.length();  
s2 = s1.substring(0, 5)  
    + s1.charAt(numChars - 1);  
String s3 = s2.toUpperCase();
```



After running this, what is the value of s3?

**Java**

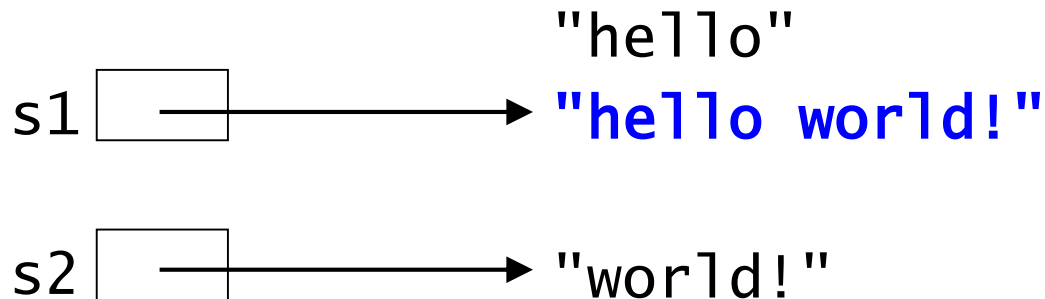
```
String s1 = "hello";  
String s2 = "world!";  
s1 = s1 + " " + s2;  
int numChars = s1.length();  
s2 = s1.substring(0, 5)  
    + s1.charAt(numChars - 1);  
String s3 = s2.toUpperCase();
```



After running this, what is the value of s3?

**Java**

```
String s1 = "hello";  
String s2 = "world!";  
s1 = s1 + " " + s2;  
int numChars = s1.length();  
s2 = s1.substring(0, 5)  
    + s1.charAt(numChars - 1);  
String s3 = s2.toUpperCase();
```





After running this, what is the value of s3?

**Java**

```
String s1 = "hello";  
String s2 = "world!";  
s1 = s1 + " " + s2;  
int numChars = s1.length();  
s2 = s1.substring(0, 5)  
    + s1.charAt(numChars - 1);  
String s3 = s2.toUpperCase();
```

s1  → "hello world!"

s2  → "world!"

After running this, what is the value of s3?

Java

```
String s1 = "hello";  
String s2 = "world!";  
s1 = s1 + " " + s2;  
int numChars = s1.length();  
s2 = s1.substring(0, 5)  
      + s1.charAt(numChars - 1);  
String s3 = s2.toUpperCase();
```

s1  → "hello world!"

s2  → "world!"

numChars

After running this, what is the value of s3?

**Java**

```
String s1 = "hello";  
String s2 = "world!";  
s1 = s1 + " " + s2;  
int numChars = s1.length();  
s2 = s1.substring(0, 5)  
      + s1.charAt(numChars - 1);  
String s3 = s2.toUpperCase();
```

s1  → "hello world!"

s2  → "world!"

numChars

After running this, what is the value of s3?

## Java

```
String s1 = "hello";  
String s2 = "world!";  
s1 = s1 + " " + s2;  
int numChars = s1.length();  
s2 = s1.substring(0, 5)  
    + s1.charAt(numChars - 1);  
String s3 = s2.toUpperCase();
```

s1  → "hello world!"

0 1 2 3 4 5... 11

s2  → "world!"

numChars

After running this, what is the value of s3?

## Java

```
String s1 = "hello";  
String s2 = "world!";  
s1 = s1 + " " + s2;  
int numChars = s1.length();  
s2 = s1.substring(0, 5)  
    + s1.charAt(numChars - 1);  
String s3 = s2.toUpperCase();
```

s1  → "hello world!"  
                                  0 1 2 3 4 5...                                  11

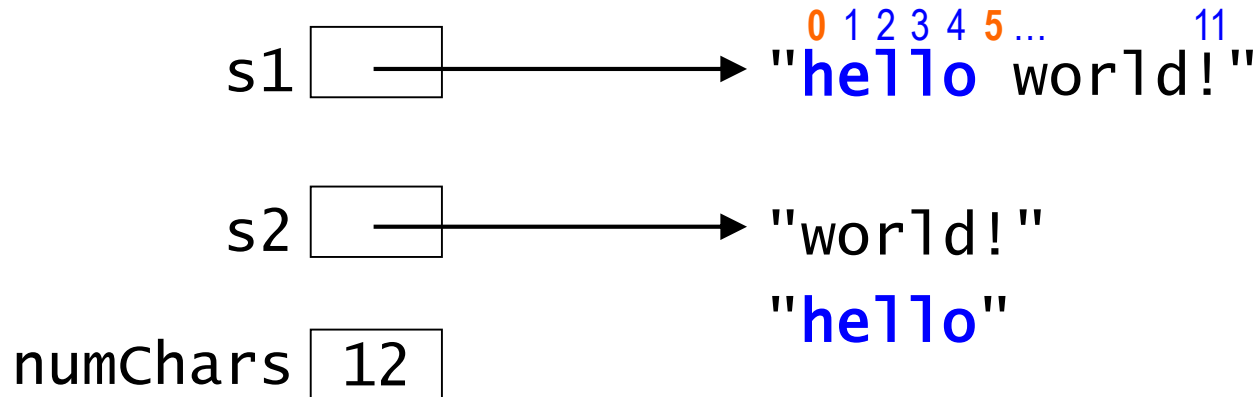
s2  → "world!"

numChars

After running this, what is the value of s3?

Java

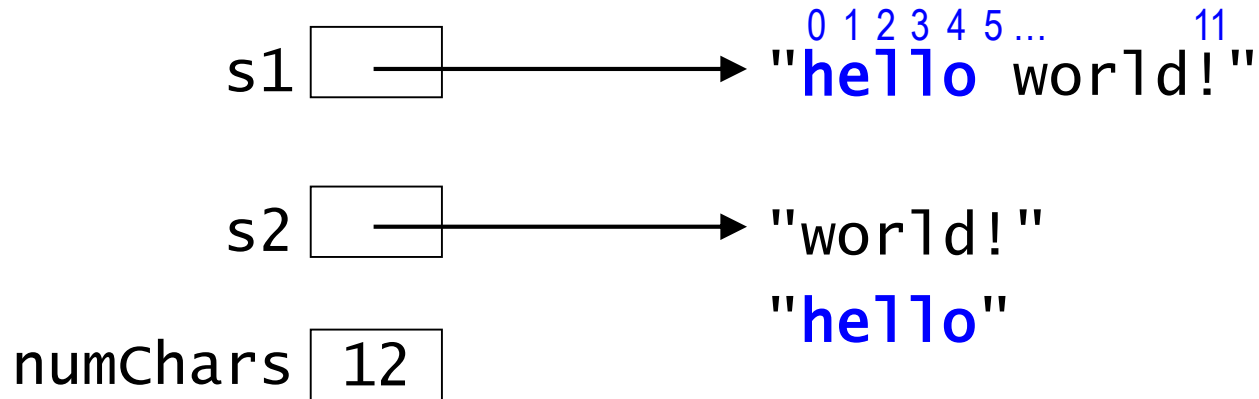
```
String s1 = "hello";  
String s2 = "world!";  
s1 = s1 + " " + s2;  
int numChars = s1.length();  
s2 = s1.substring(0, 5)  
      + s1.charAt(numChars - 1);  
String s3 = s2.toUpperCase();
```



After running this, what is the value of s3?

Java

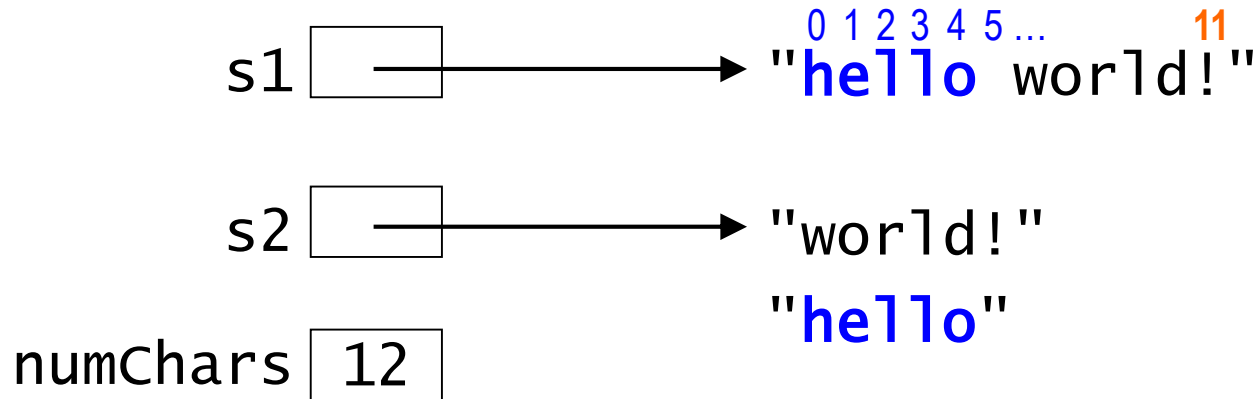
```
String s1 = "hello";  
String s2 = "world!";  
s1 = s1 + " " + s2;  
int numChars = s1.length();  
s2 = s1.substring(0, 5)  
    + s1.charAt(numChars - 1);  
String s3 = s2.toUpperCase();
```



After running this, what is the value of s3?

## Java

```
String s1 = "hello";  
String s2 = "world!";  
s1 = s1 + " " + s2;  
int numChars = s1.length();  
s2 = s1.substring(0, 5)  
    + s1.charAt(numChars - 1);  
String s3 = s2.toUpperCase();
```

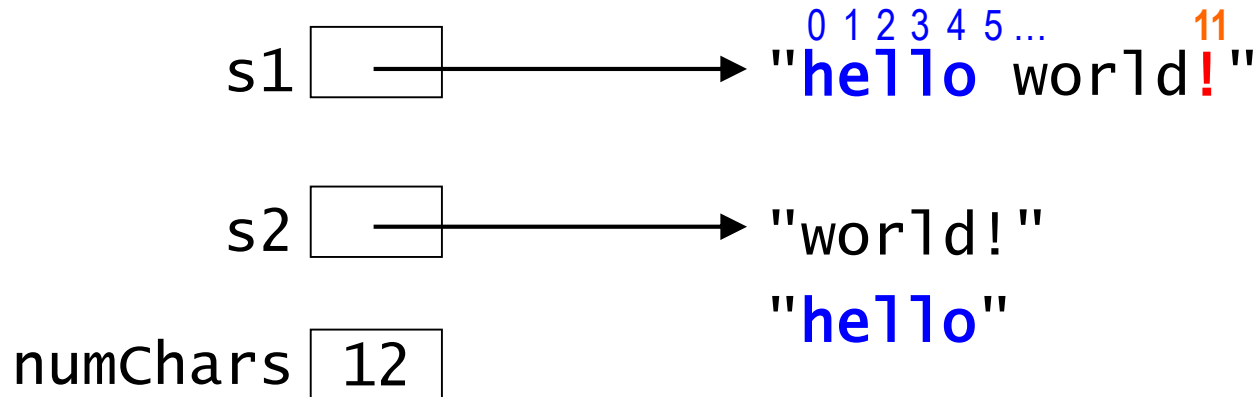




After running this, what is the value of s3?

## Java

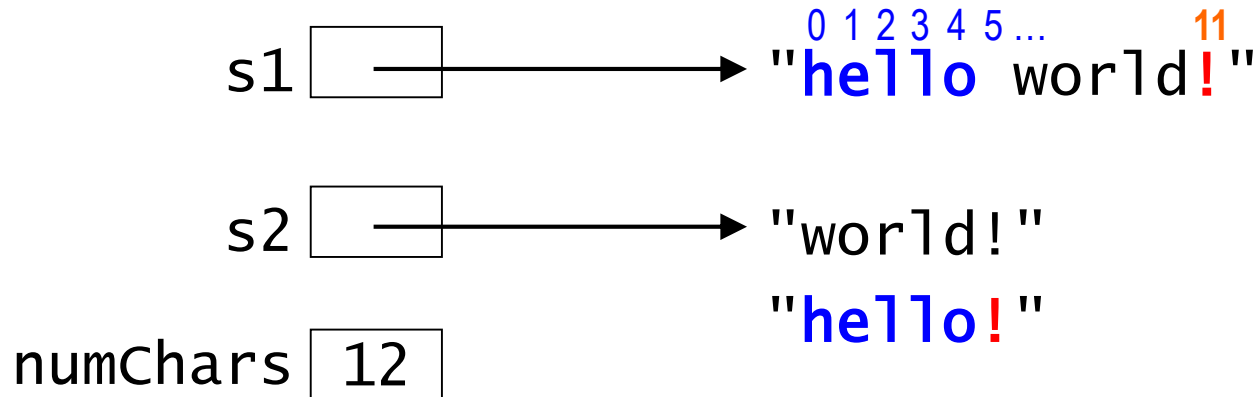
```
String s1 = "hello";  
String s2 = "world!";  
s1 = s1 + " " + s2;  
int numChars = s1.length();  
s2 = s1.substring(0, 5)  
    + s1.charAt(numChars - 1);  
String s3 = s2.toUpperCase();
```



After running this, what is the value of s3?

Java

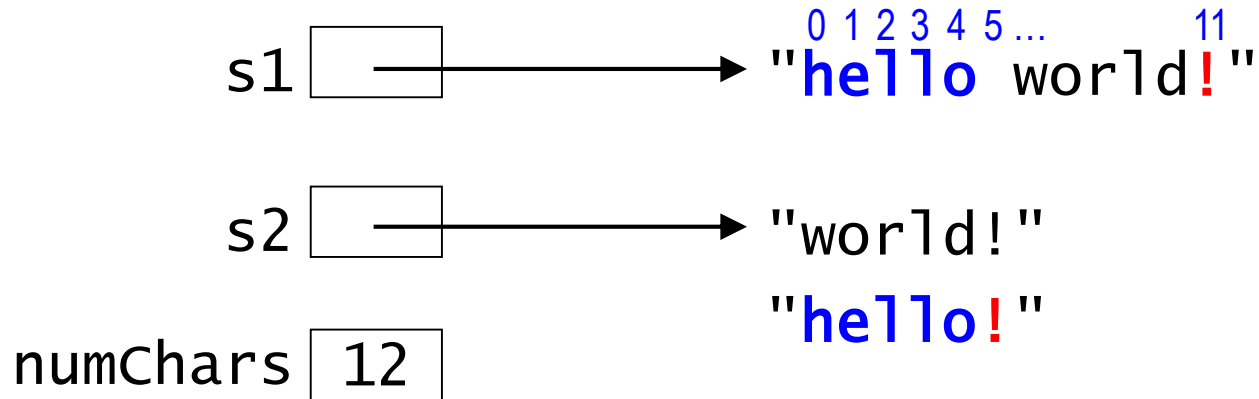
```
String s1 = "hello";  
String s2 = "world!";  
s1 = s1 + " " + s2;  
int numChars = s1.length();  
s2 = s1.substring(0, 5)  
    + s1.charAt(numChars - 1);  
String s3 = s2.toUpperCase();
```



After running this, what is the value of s3?

Java

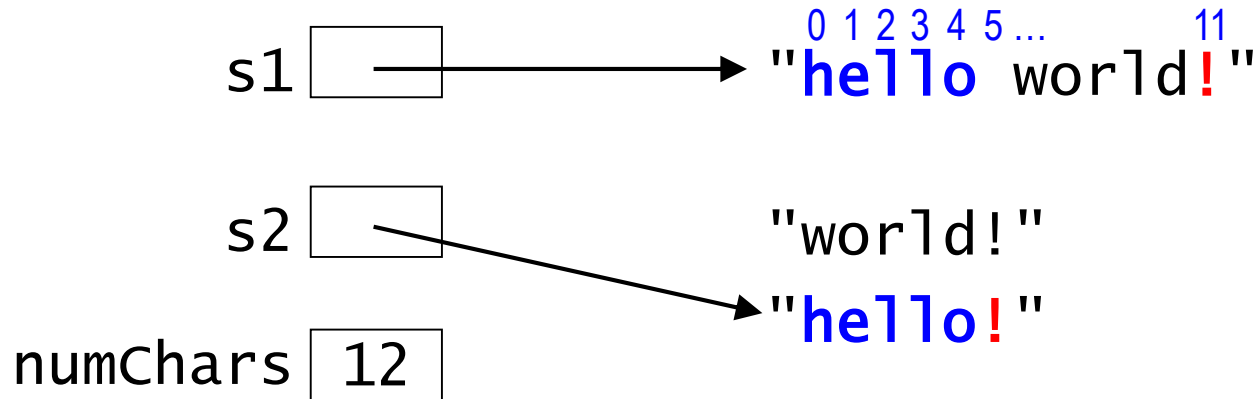
```
String s1 = "hello";  
String s2 = "world!";  
s1 = s1 + " " + s2;  
int numChars = s1.length();  
s2 = s1.substring(0, 5)  
    + s1.charAt(numChars - 1);  
String s3 = s2.toUpperCase();
```



After running this, what is the value of s3?

Java

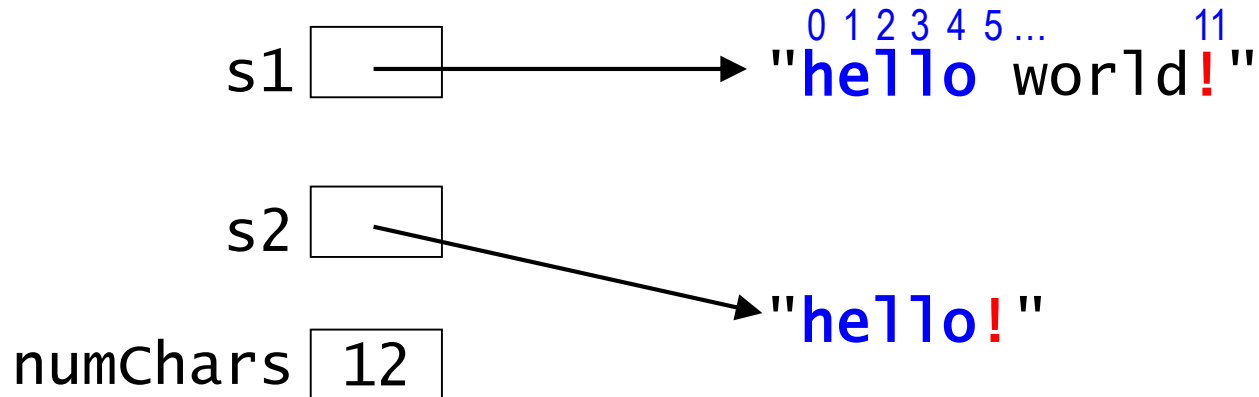
```
String s1 = "hello";  
String s2 = "world!";  
s1 = s1 + " " + s2;  
int numChars = s1.length();  
s2 = s1.substring(0, 5)  
      + s1.charAt(numChars - 1);  
String s3 = s2.toUpperCase();
```



After running this, what is the value of s3?

## Java

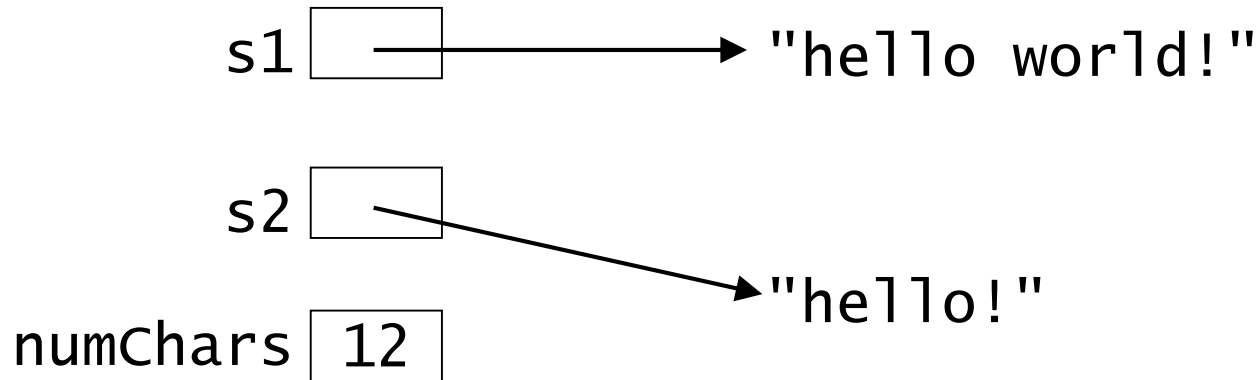
```
String s1 = "hello";  
String s2 = "world!";  
s1 = s1 + " " + s2;  
int numChars = s1.length();  
s2 = s1.substring(0, 5)  
      + s1.charAt(numChars - 1);  
String s3 = s2.toUpperCase();
```



After running this, what is the value of s3?

**Java**

```
String s1 = "hello";  
String s2 = "world!";  
s1 = s1 + " " + s2;  
int numChars = s1.length();  
s2 = s1.substring(0, 5)  
    + s1.charAt(numChars - 1);  
String s3 = s2.toUpperCase();
```



After running this, what is the value of s3?

**Java**

```
String s1 = "hello";  
String s2 = "world!";  
s1 = s1 + " " + s2;  
int numChars = s1.length();  
s2 = s1.substring(0, 5)  
    + s1.charAt(numChars - 1);  
String s3 = s2.toUpperCase();
```

